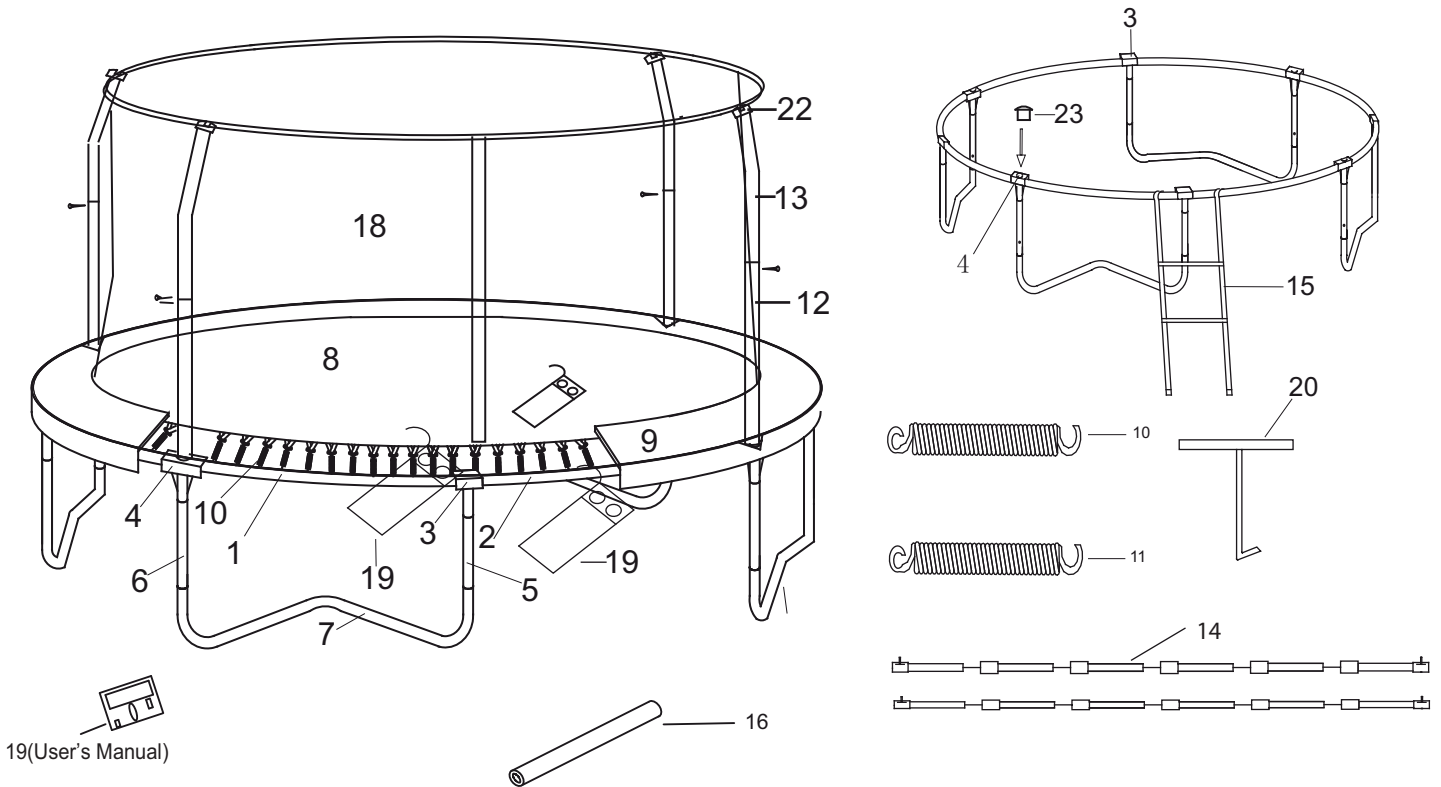


EXPLODED DRAWING AND PART LIST Classic 370-430 (2009)



Key No.	Qty.	Description	Key No.	Qty.	Description
1	4	Top Tube (With Socket)	15	1	Ladder
2	4	Top Tube	16	8	Foam Sleeve
3	4	Socket	17*	8	Self-tapping Screw
4	4	Enclosure Socket	18	1	Netting with attached Hardware
5	4	Leg Extension (B)	19	1	User's Manual and Safety Placard(2PCS)
6	4	Leg Extension (A)	20	1	Spring Tool
7	4	Center	21*	8	Cord
8	1	Stitched Bed with V-rings	22	4	Plastic Cap (This part has been attached to the top of the Top Curve Pole (13).)
9	1	Frame Pad	23	4	Enclosure Socket Cap
10	2	Set of Springs	*	1	Set of ASTM Frame Labels
11	1	Set of Yellow Springs			
12	4	Straight Pole			
13	4	Enclosure Top Tube			
14	2	G3 Pole			

*This part is not illustrated.
Specifications are subject to change without notice.

ORDERING REPLACEMENT PARTS

To order replacement parts, visit our Web site or call our Customer Hot Line (see page 6,7). To help us assist you, please provide the following information when calling:

- the MODEL of the trampoline/enclosure
- the NAME of the product
- the KEY NUMBER and DESCRIPTION of the part (see the PART LIST above)
- the quantity needed
- the desired method of shipping