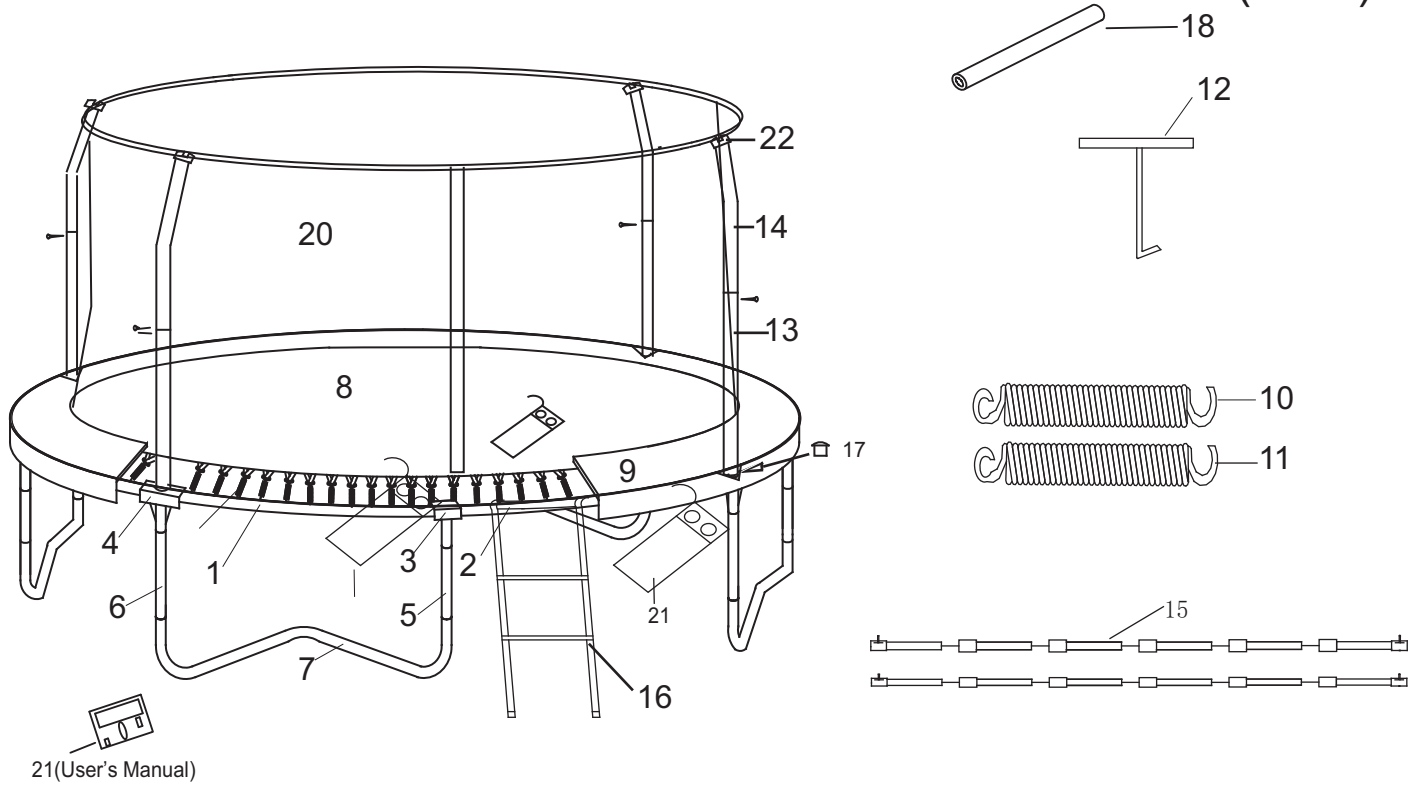


EXPLODED DRAWING AND PART LIST Deluxe 370-430 (2009)



Key No.	Qty.	Description	Key No.	Qty.	Description
1	4	Top Tube (With Socket)	15	2	G3 Pole
2	4	Top Tube	16	1	Ladder
3	4	Socket	17	4	Enclosure Socket Cap
4	4	Enclosure Socket	18	8	Foam Sleeve
5	4	Leg Extension (B)	19*	8	Self-tapping Screw
6	4	Leg Extension (A)	20	1	Netting with attached Hardware
7	4	Center	21	1	User's Manual and Safety Placard (2PCS)
8	1	Stitched Bed with V-rings	22	4	Plastic Cap (This part has been attached to the top of the Top Curve Pole(14).)
9	1	Frame Pad	23*	8	Cord
10	72	7"length Springs (For 12ft)	*	1	Set of ASTM Frame Labels
	88	7"length Springs (For 14ft)			
11	8	7"length Yellow Springs			
12	1	Spring Tool			
13	4	Straight Pole			
14	4	Enclosure Top Tube			

*This part is not illustrated.
Specifications are subject to change without notice.

ORDERING REPLACEMENT PARTS

To order replacement parts, visit our Web site or call our Customer Hot Line (see page 6,7).

To help us assist you, please provide the following information when calling:

- the MODEL of the trampoline/enclosure
- the NAME of the product
- the KEY NUMBER and DESCRIPTION of the part (see the PART LIST above)
- the quantity needed
- the desired method of shipping